

# AGITO SPORTS

## Product Specification

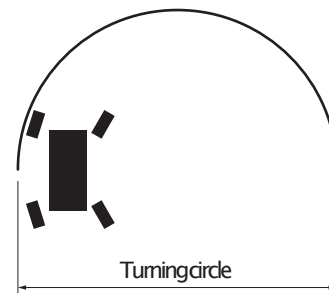


### Communications:

RF –Modular, 2.4GHz Hopping spread spectrum standard (Other frequencies available)  
Operating range –Up to 300m (Dependant on environment)  
AUX Data connection –CAN Bus, RS232, UART

### Control:

3 steering modes –2ws, 4ws, Crab  
Adjustable throttle and steering behaviours  
Recordable moves –30 minute move memory  
Turning circle –2.5m (4ws mode, multi-terrain/dolly wheels)



### Power:

Power –2 x 48v (100Wh flight safe) Lithium Ion batteries  
Battery charging –2 x Chargers included  
Charge time –1hr from flat  
Battery lifecycle –300–500 charge cycles  
Aux power output –2 x 12VDC (Total shared 2A load)

### Performance:

#### Top Speeds:

Training	Setup	Speed (RPM)	Speed (mph)	Speed (kmh)
None/Basic	Sports	1400	12.1	19.5
	Sports +Monster Wheels	1400	14.8	23.8
	Sports +Tower	800	6.9	11.2
	Sports +Tower +Monster Wheels	800	8.4	13.6
Advanced	Sports	2500	21.7	34.9
	Sports +Monster Wheels	2500	26.4	42.4
	Sports +Volt	3000	26.0	41.8
	Sports +Monster Wheels	3000	31.6	50.9

Please note these are theoretical top speeds, payloads and terrain will affect the actual top speed.

Minimum Speed: 0.35ft/s (0.1m/s)

### Mounting:

#### Camera/head mounting:

- Via V-Con Pro & Mitchell Plate: Mitchel Mount (Cheese-Plate Adapter for Freefly & Ronin 2 mounting included.)
- Via AGITO Tower: Motion Impossible Quick Release Plate. (Supports SHOTOVER G1, ARRI SRH-3/360, Freefly, Ronin 2)

### Transportation/storage:

Packs in to cases, each under 32kg.

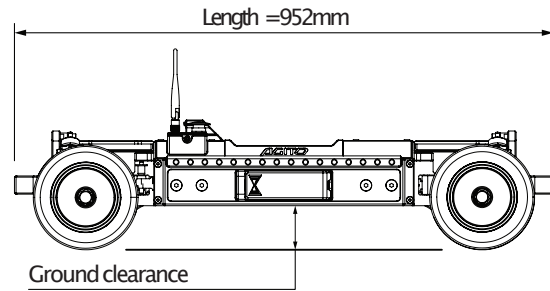
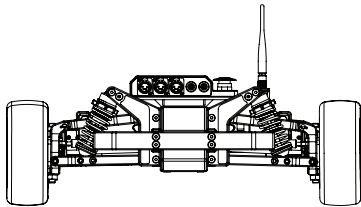
### Contact

Phone +44 (0)7973 673187  
e-mail matt@cammotion.co.uk  
Web www.cammotion.co.uk

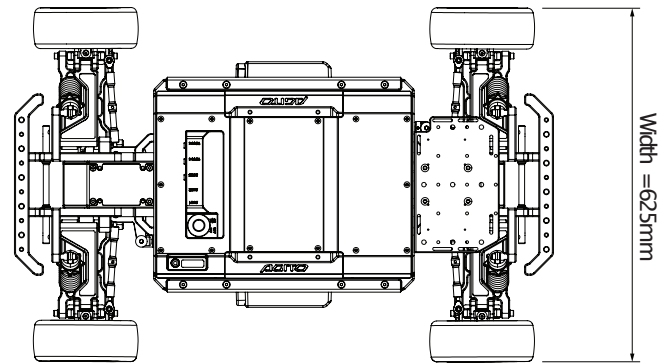


## Physical Specification

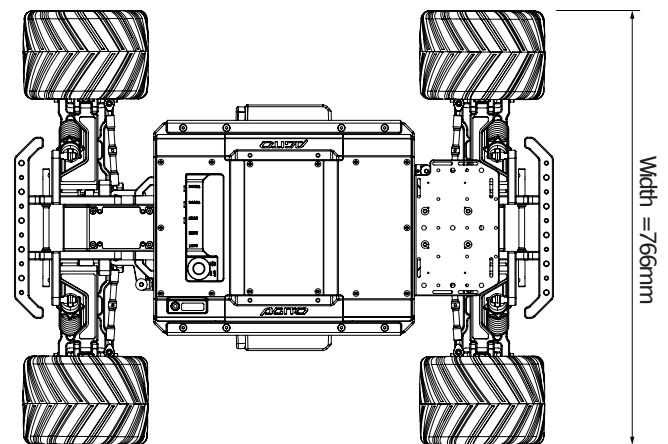
(Base only)



AGITO Sports – Multi terrain/dolly wheels  
Wheel diameter = 185mm  
Ground clearance = 78mm



AGITO Sports – Monster wheels  
Wheel diameter = 225mm  
Ground clearance = 96mm



### Contact

Phone +44(0)7973 673187  
e-mail [matt@cammotion.co.uk](mailto:matt@cammotion.co.uk)  
Web [www.cammotion.co.uk](http://www.cammotion.co.uk)

## (Sports + V-Con Pro)

---

### Chassis Weight:

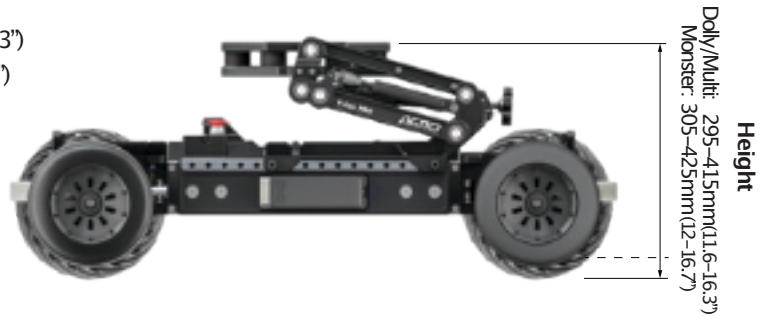
Multi-Terrain/Dolly:	43.6Kg (96.1lbs)
MonsterWheels:	44.9Kg (99lbs)

### Mounting Height:

Multi-Terrain/Dolly:	295-415mm (11.6-16.3")
Monster Wheels:	305-425mm (12-16.7")

### Max Payload:

Soft Shocks:	5-32Kg (11-70.5lbs)
Medium Shocks:	5-32Kg (11-70.5lbs)
Hard Shocks:	5-32Kg (11-70.5lbs)



## (Sports + Mitchell Plate)

---

### Chassis Weight:

Multi-Terrain/Dolly:	37.6Kg (82.9lbs)
MonsterWheels:	38.9Kg (85.8lbs)

### Mounting Height:

Multi-Terrain/Dolly:	245mm(9.6")
Monster Wheels:	255mm (10")

### Max Payload:

Soft Shocks:	10-40Kg (22-88.1lbs)
Medium Shocks:	20-50Kg (44-110.2lbs)
Hard Shocks:	30-60Kg (66-132.3lbs)



---

### Contact

Phone +44(0)7973 673187  
e-mail [matt@cammotion.co.uk](mailto:matt@cammotion.co.uk)  
Web [www.cammotion.co.uk](http://www.cammotion.co.uk)

## (Sports + Tower)

---

### Chassis Weight:

Multi-Terrain/Dolly:	47.5Kg (104.7lbs)
Monster Wheels:	48.8Kg (107.5lbs)

### Mounting Height:

#### Bottom Position:

Multi-Terrain/Dolly:	770mm (30.3")
Monster Wheels:	780mm (30.7")

#### Top Position:

Multi-Terrain/Dolly:	1480mm (58.3")
Monster Wheels:	1490mm (58.7")

Add 400mm for Shotover G1 lens height

### Max Payload:

Soft Shocks:	7-13Kg (15-28.6lbs)
Medium Shocks:	7-22Kg (15-48.5lbs)
Hard Shocks:	16-22Kg (35-48.5lbs)



Height  
Dolly/Multi: 770mm(30.3")  
Monster: 780mm(30.7")



Height  
Dolly/Multi: 1480mm(58.3")  
Monster: 1490mm(58.7")

---

### Contact

Phone +44(0)7973 673187  
e-mail [matt@cammotion.co.uk](mailto:matt@cammotion.co.uk)  
Web [www.cammotion.co.uk](http://www.cammotion.co.uk)