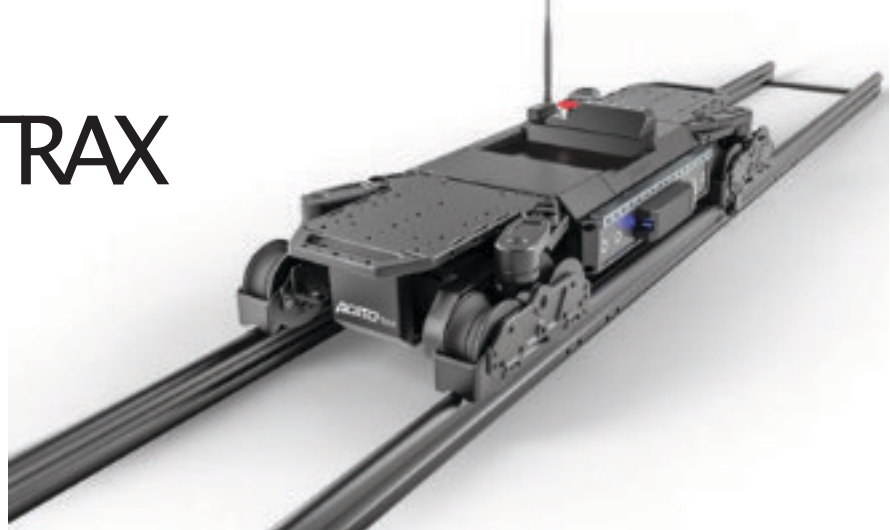


# AGITO TRAX

## Product Specification

---



### Communications:

RF –Modular, 2.4GHz Hopping spread spectrum standard (Other frequencies available)  
Operating range –Up to 300m (Dependant on environment)  
AUX Data connection –CAN Bus, RS232, UART  
Hardwire data solutions available (fibre).

### Control:

Magnetic end stop capability  
Position encoders from non-slip wheels  
Adjustable throttle behaviours  
Recordable moves –30 minute move memory

### Power:

Power –2 x 48v (100Wh flight safe) Lithium Ion batteries  
Battery charging –2 x Chargers included  
Charge time –1hr from flat  
Battery lifecycle –300–500 charge cycles  
Aux power output –2 x 12VDC (Total shared 2A load)  
Hardwire 48V PSU Available

### Performance:

Top Speed: 7mph (3.2m/s)  
Minimum Speed: 0.16ft/s (0.05m/s)

### Mounting:

Camera/head mounting:

- Via V-Con Pro & Mitchell Plate: Mitchell Mount (Cheese-Plate Adapter for Freefly & Ronin 2 mounting included.)
- Via AGITO Tower: Motion Impossible Quick Release Plate. (Supports SHOTOVER G1, ARRI SRH-3/360, Freefly, Ronin 2)

### Transportation/storage:

Packs in to cases, each under 32kg.

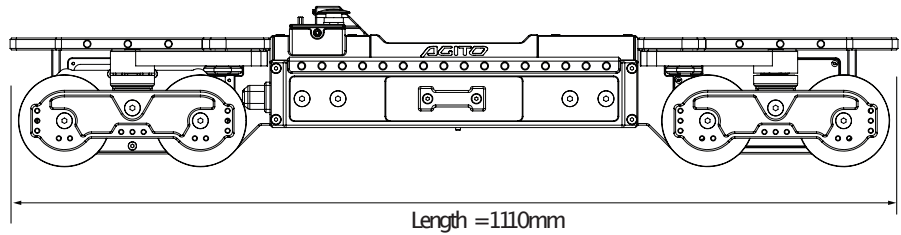
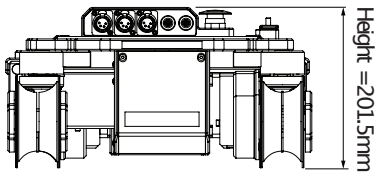
---

### Contact

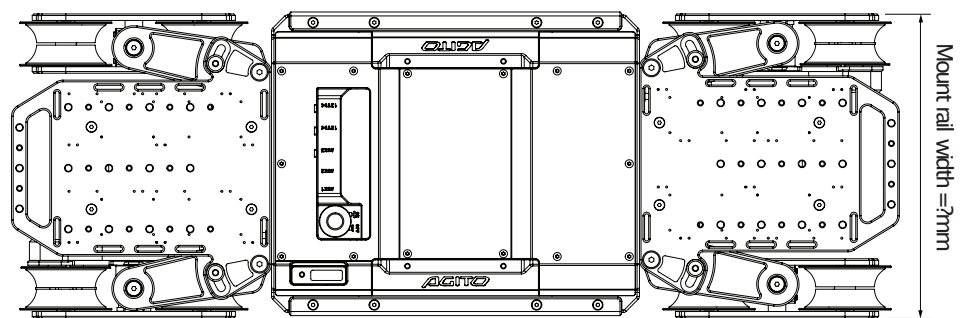
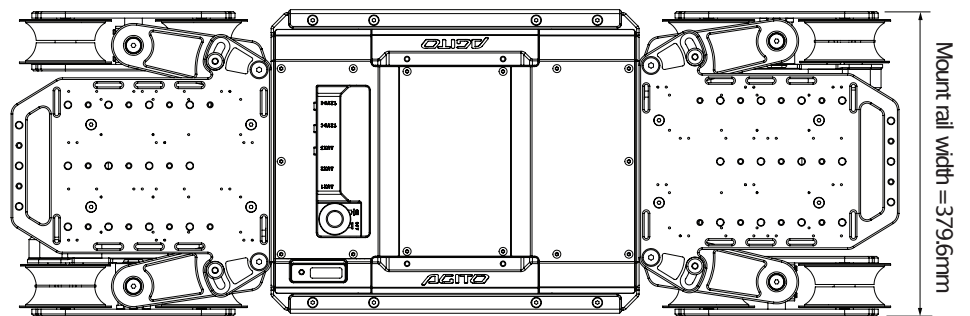
Phone +44 (0)7973 673187  
e-mail matt@cammotion.co.uk  
Web www.cammotion.co.uk

## Physical Specification

(Base only)



AGITO Trax  
Minimum Curve Radius = 2m  
Track Width = 300mm-409mm  
(11.8"-16.1")



### Contact

Phone +44 (0)7973 673187  
e-mail [matt@cammotion.co.uk](mailto:matt@cammotion.co.uk)  
Web [www.cammotion.co.uk](http://www.cammotion.co.uk)

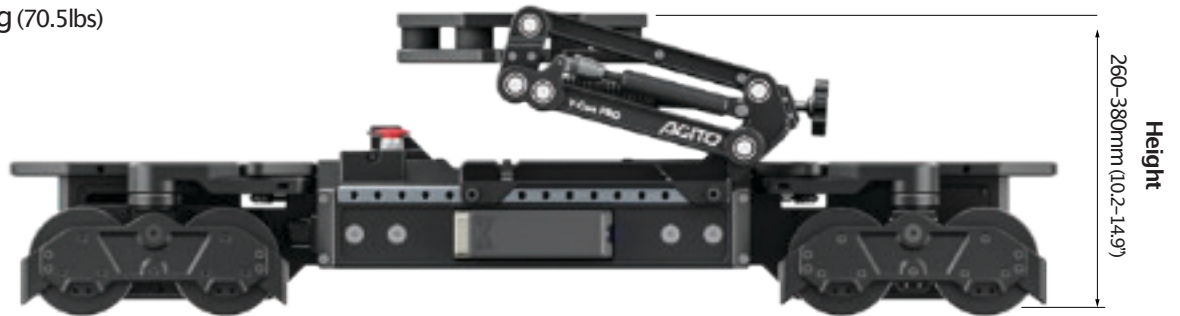
## (Trax + V-Con Pro)

---

Chassis Weight = 52Kg (96.1lbs)

Mounting Height = 260-380mm (10.2-14.9")

Max Payload: 32Kg (70.5lbs)



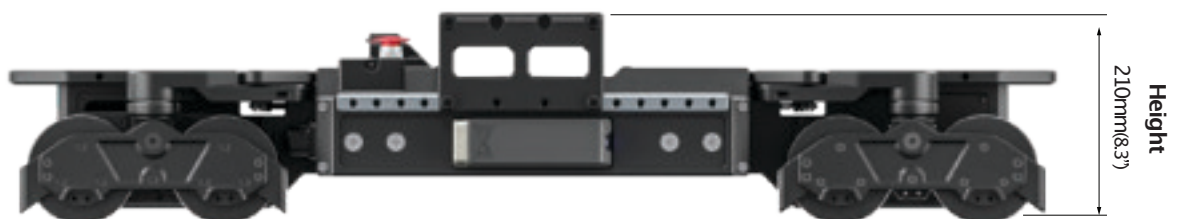
## (Trax + Mitchell Plate)

---

Chassis Weight = 48Kg (96.1lbs)

Mounting Height = 210mm (8.3")

Max Payload: 64Kg (141lbs)  
(90kg (198.4lbs) tot. with 2x Mitchell Plates)



---

### Contact

Phone +44 (0)7973 673187

e-mail [matt@cammotion.co.uk](mailto:matt@cammotion.co.uk)

Web [www.cammotion.co.uk](http://www.cammotion.co.uk)

# AGITO TRAX

## (Trax + Tower)

---

Chassis Weight = 55Kg (96.1lbs)

Mounting Height:

Bottom Position = 735mm (28.9")

Top Position = 1445mm (56.9")

Add 400mm for Shotover G1 lens height

Max Payload: 22Kg (48.5lbs)



---

### Contact

Phone +44 (0)7973 673187

e-mail [matt@cammotion.co.uk](mailto:matt@cammotion.co.uk)

Web [www.cammotion.co.uk](http://www.cammotion.co.uk)

**CAMMOTION**

CAMERA CONTROL TECHNOLOGY